

FREE FLOODED RING (FFR) PROJECTOR



Special Features

- Depth Unlimited
- High Efficiency
- High Reliability
- Low Distortion
- High Power (>220 dB//1 μ Pa·m)
- High Bandwidth
- Low Maintenance
- Directional (Axial Nulls)

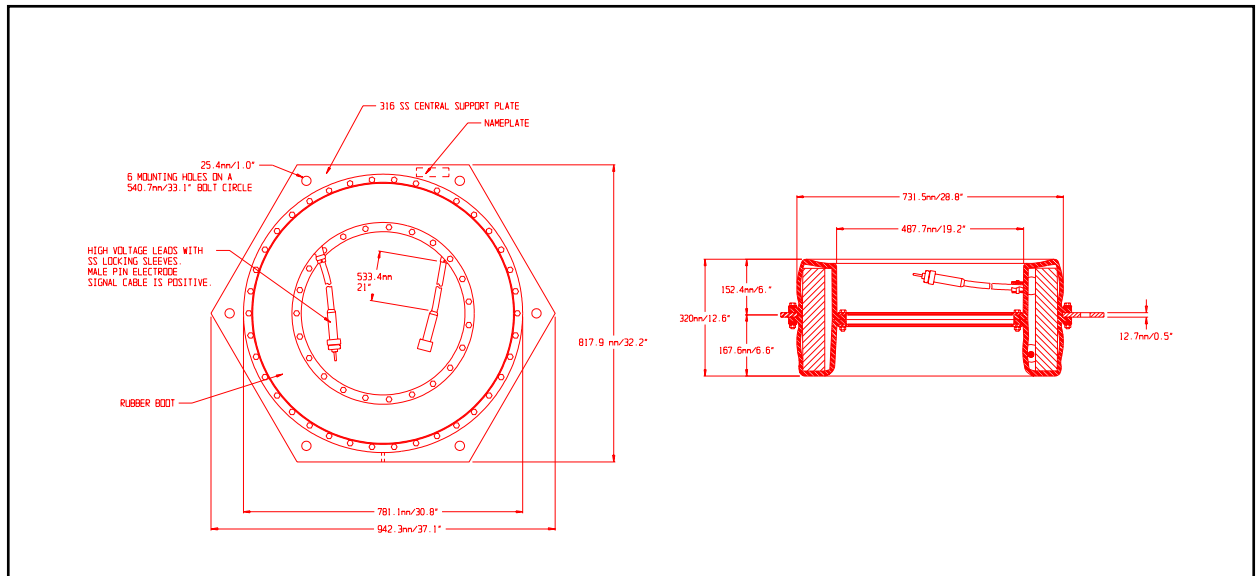
Technical Specifications

PARAMETER		Model 28FC1000	Model 18FA1800
Operating Frequency Range		900 - 2000 Hz \pm 5%	1500 - 4000 Hz \pm 5%
Apparent Bandwidth (-3 dB)		1000 Hz \pm 5%	1900 Hz \pm 5%
Maximum Design Drive Voltage		2500 Volts RMS	2500 Volts RMS
Maximum Sound Pressure Level at Maximum Drive Voltage (on MRA)		222 dB//1 μ Pa \bullet m \pm 1 dB @ 940 Hz (approx.)	219 dB// μ Pa \bullet m \pm 1 dB @ 1550 Hz (approx.)
Electroacoustic Efficiency		75% @ 1.5 kHz	75% @ 3 kHz
Directivity	Radial	omni \pm 1 dB	omni \pm 1 dB
	Axial	- 20 dB @ 800 Hz	- 20 dB @ 1600 Hz
Weight (Dry / Wet)		Dry - 270 kg Wet - 207 kg	Dry - 75 kg Wet - 52 kg

NOMINAL ACOUSTIC PERFORMANCE

Options:

- electroacoustic calibration
- step-up / matching transformers
- purpose-developed towbody
- design variants can be developed
- special lead length
- spare lead sets
- signal / tow cable
- special mounting arrangements



Model 28FC1000

dimensions shown in mm / in.



INNOVATION THROUGH EXPERIENCE

Maritime Systems
40 Atlantic Street
Dartmouth, Nova Scotia
Canada B2Y 4N2

Tel: 902-466-7491 / Fax: 902-463-6098
Toll Free: 1-800-491-7754 (N. America Only)
Web www.ultra-uems.com